



Data record sheet for Covers

Page 1

Data record sheet for all flatbed trucks (exkl. Ford Transit)

Page 2

Data record sheet for vehicles with existing driver's cab protection (Ford Transit since 2012 year of construction)

Please enter the dimensions of your vehicle into the appropriate fields and send the completed data record sheet to office@logicline.eu (Customer Service).

Data record sheet for covers

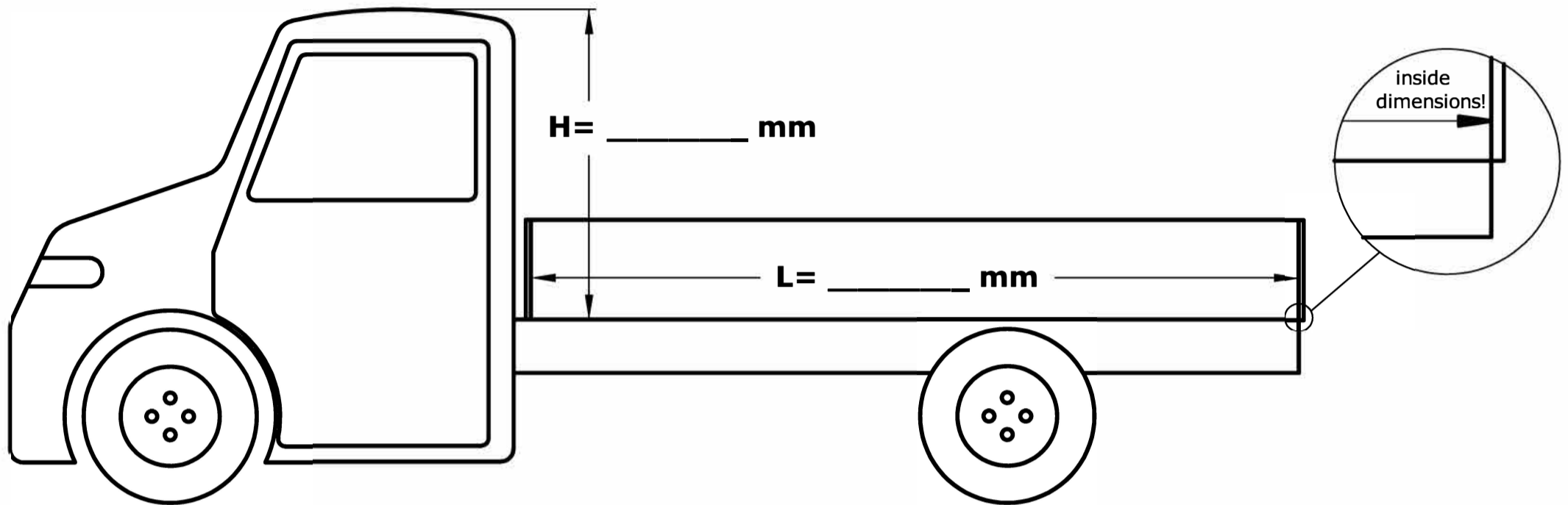


Logicline covers are manufactured according to the individual specifications of your vehicle. Please fill out the fields in the sketch below and select your desired options. Please send us the document via fax oder e-mail.

LogicLine Europe GmbH
Customer Service
Gewerbestraße 1
A-7343 Neutal

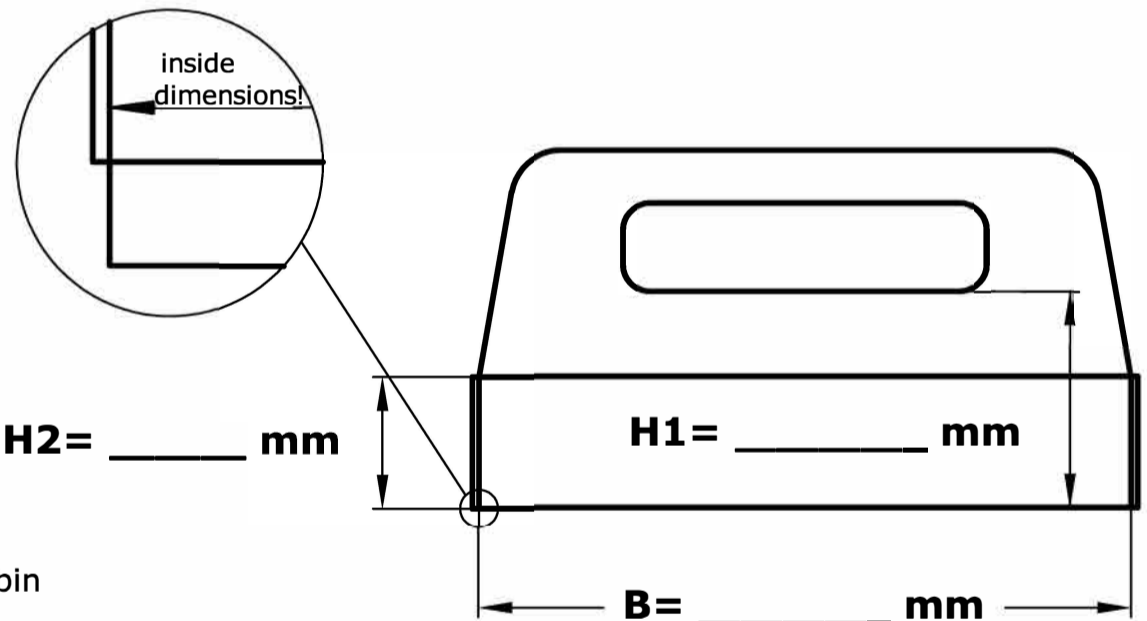
Tel. +43 (0)5 / 0170
Fax +43 (0)5 / 0170 - 700
office@logicline.eu

Please be aware, that all measurements need to be inside dimensions!



Color of cover

- | | |
|-------------------------------|---------------------------|
| blue (sim. to RAL 5002) | orange (sim. to RAL 2011) |
| white (sim. to RAL 9016) | yellow (sim. to RAL 1003) |
| green (sim. to RAL 6026) | black (sim. to RAL 9005) |
| stone grey (sim. to RAL 7030) | _____ |
| light grey (sim. to RAL 7035) | |



Vehicle	Drive Type:	Cabin:
	Combustion Engine	Single Cabin
	Electric	Double Cabin

Brand:

Model:

Year of constr.:

Vehicle identification number:

(Volkswagen & Mercedes-Benz vehicles only)

Originaler driver's cab protection from vehicle manufacturer:

Yes No

Company

Position of long item carrier:

driver's side passenger's side

Name and Surname

L Length of loading area inside side walls (max. 4300 mm)

Telephone

B Width of loading area inside side walls (max. 2200 mm)

e-mail

H Distance from loading area to the top of driver's cab (max. 1500 mm)

Date

H1 Distance from loading area to bottom edge of rear window

H2 Distance from loading area to top of side wall

Data record sheet for CombiRack / PowerRack in combination with existing driver's cab protection

(Ford Transit since 2012 year of construction)

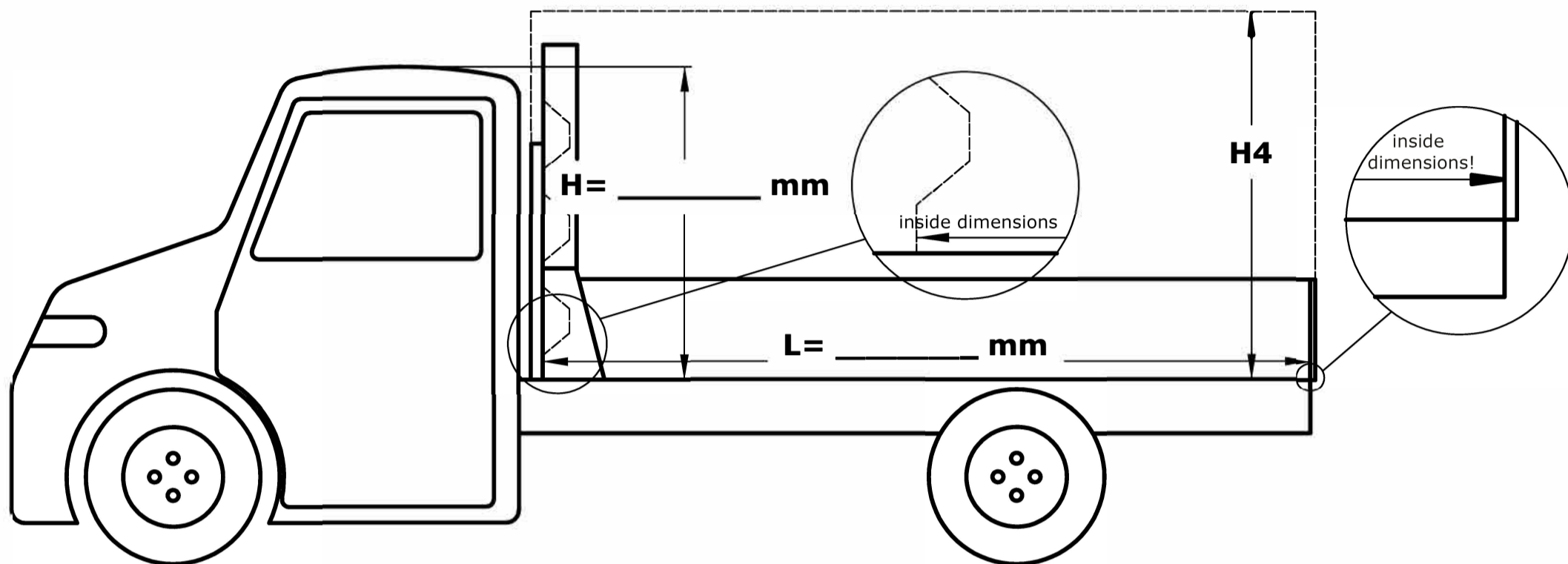


LogicLine covers are manufactured according to the individual specifications of your vehicle. Please fill out the fields in the sketch below and select your desired options. Please send us the document via fax oder e-mail.

LogicLine Europe GmbH
Customer Service
Gewerbestraße 1
A-7343 Neutal

Tel. +43 (0)5 / 0170
Fax +43 (0)5 / 0170 - 700
office@logicline.eu

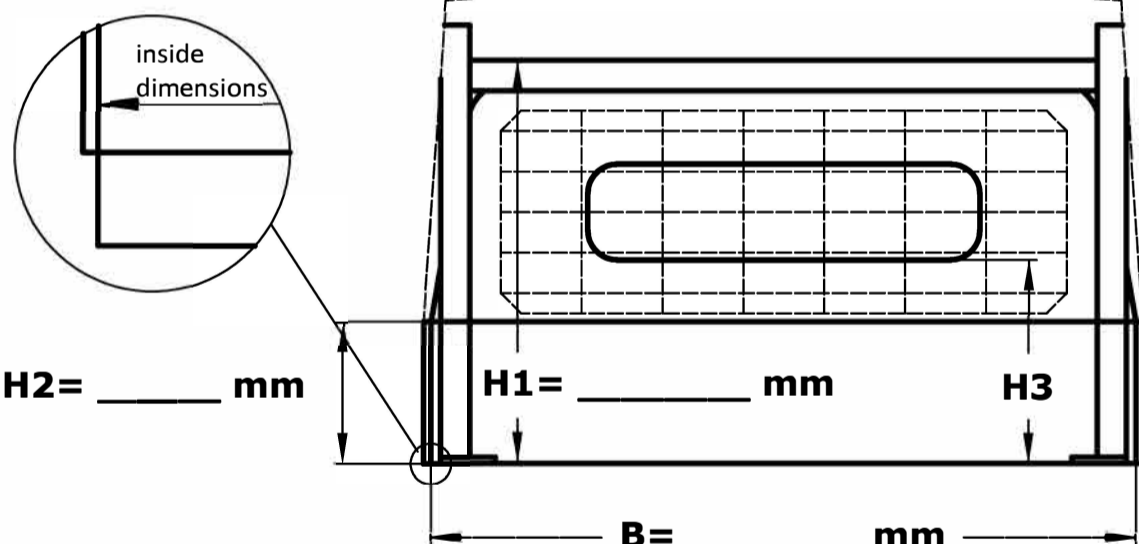
Please be aware, that all measurements need to be inside dimensions!



H4 (height cover = cabin height + 500mm)

Color of cover

- | | |
|-------------------------------|---------------------------|
| blue (sim. to RAL 5002) | orange (sim. to RAL 2011) |
| white (sim. to RAL 9016) | yellow (sim. to RAL 1003) |
| green (sim. to RAL 6026) | black (sim. to RAL 9005) |
| stone grey (sim. to RAL 7030) | _____ |
| light grey (sim. to RAL 7035) | _____ |



Vehicle

Brand:
Model:
Year of constr.:

Originaler driver's cab protection from vehicle manufacturer:

Yes No

Position of long item carrier:

driver's side passenger's side

Drive Type:
Combustion Engine
Electric

Cabin:
Single Cabin
Double Cabin

Company _____

Name and Surname _____

Telephone _____

e-mail _____

Date _____

- L** Length of loading area inside side walls (max. 4300 mm)
- B** Width of loading area inside side walls (max. 2200 mm)
- H** Distance from loading area to the top of driver's cab (max. 1500 mm)
- H1** Distance from loading area to the top of driver's cab protection
- H2** Distance from loading area to top of side wall
- H3** Distance from loading area to bottom edge of rear window