




Data record sheet for racks

 **Seite 1:** Data record sheet for racks without existing cab driver's protection

 **Seite 2:** Data record sheet for HeckRack HR-200 with existing cab driver's protection

Please enter the dimensions of your vehicle into the appropriate fields and send the completed data record sheet to office@logicline.eu (Customer Service).

We are glad to help:

 +43 (0)5 / 0170

 office@logicline.eu

Data record sheet for racks without existing driver's cab protection

(FrontRack / HeckRack / CombiRack / PowerRack)

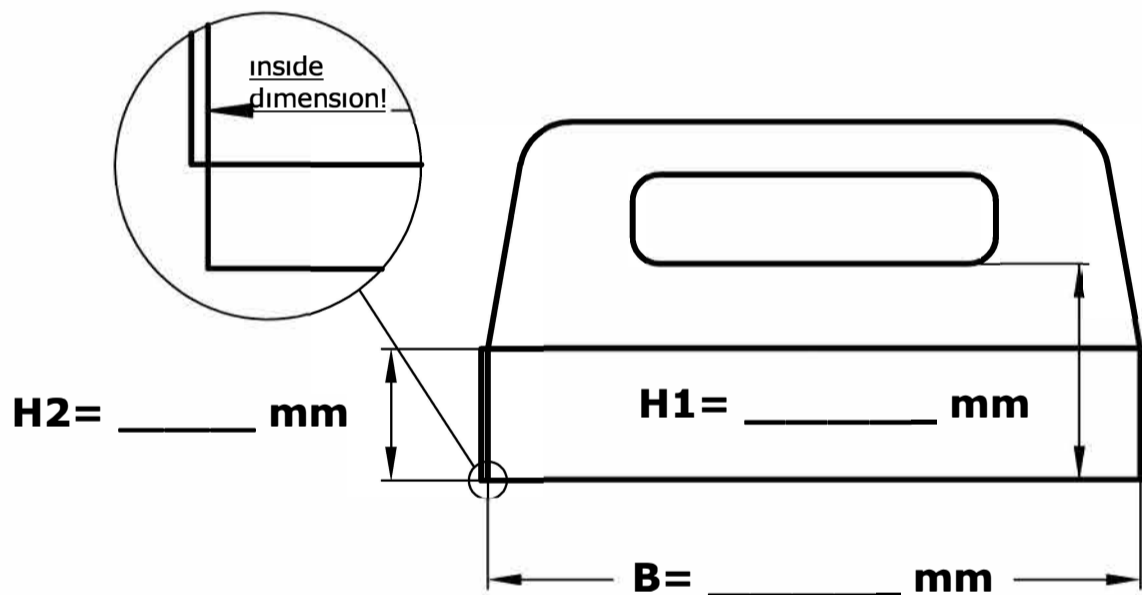
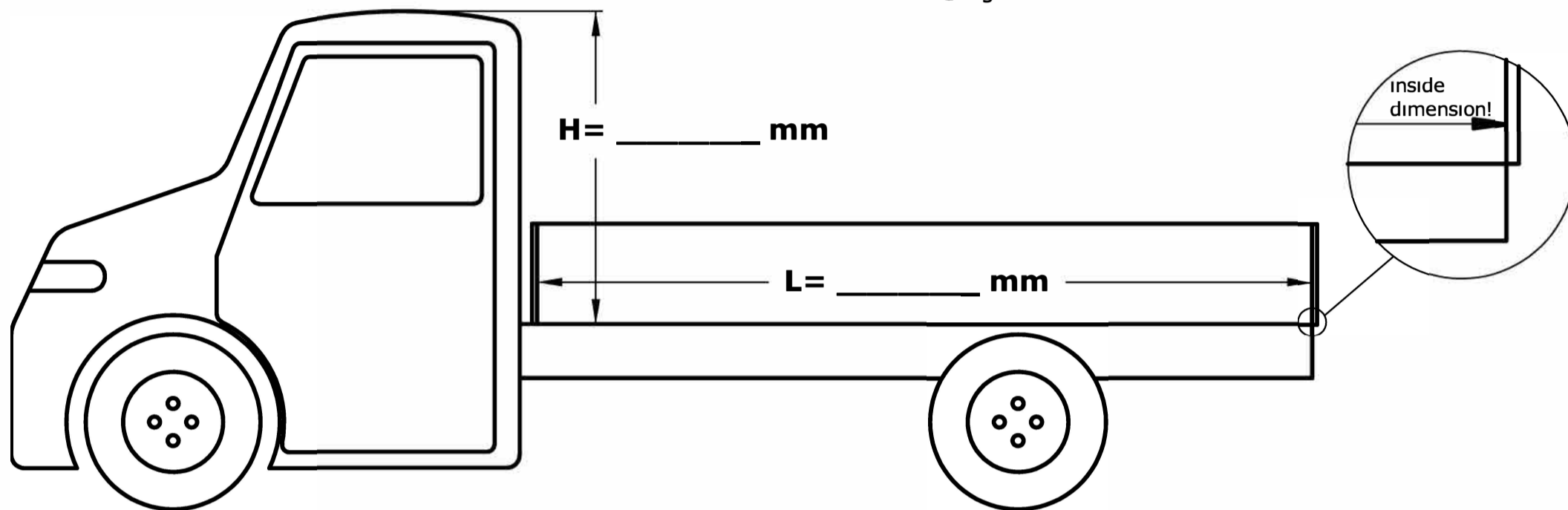
LogicLine racks are manufactured according to the individual specifications of your vehicle. Please fill out the fields in the sketch below and select your desired options. Please send us the document via fax oder e-mail.

Please be aware, that all measurements need to be inside dimensions!



LogicLine Europe GmbH
Customer Service
Gewerbestraße 1
A-7343 Neutal

Tel. +43 (0)5 / 0170
Fax +43 (0)5 / 0170 - 700
office@logicline.eu



Vehicle

Brand:

Vehicle identification number:

(Volkswagen & Mercedes-Benz vehicles only)

Model:

Year of constr.:

Position of Long item carrier (CombiRack only):

driver's side

passenger's side

Company

Use in combination with LogicLine LongRack (PowerRack only):

Yes (driver's side)

Yes (passenger's side)

Name and Surname

L Length of loading area inside the side walls (max. 4500mm)

B Width of loading area inside the side walls (max. 2200 mm)

H Distance from loading area to the top of driver's cab (max. 1500 mm)

H1 Distance from loading area to bottom edge of rear window

H2 Distance from loading area to top of side wall

Telephone

e-mail

Date

Data record sheet for HeckRack HR-200 in combination with existing driver's cab protection

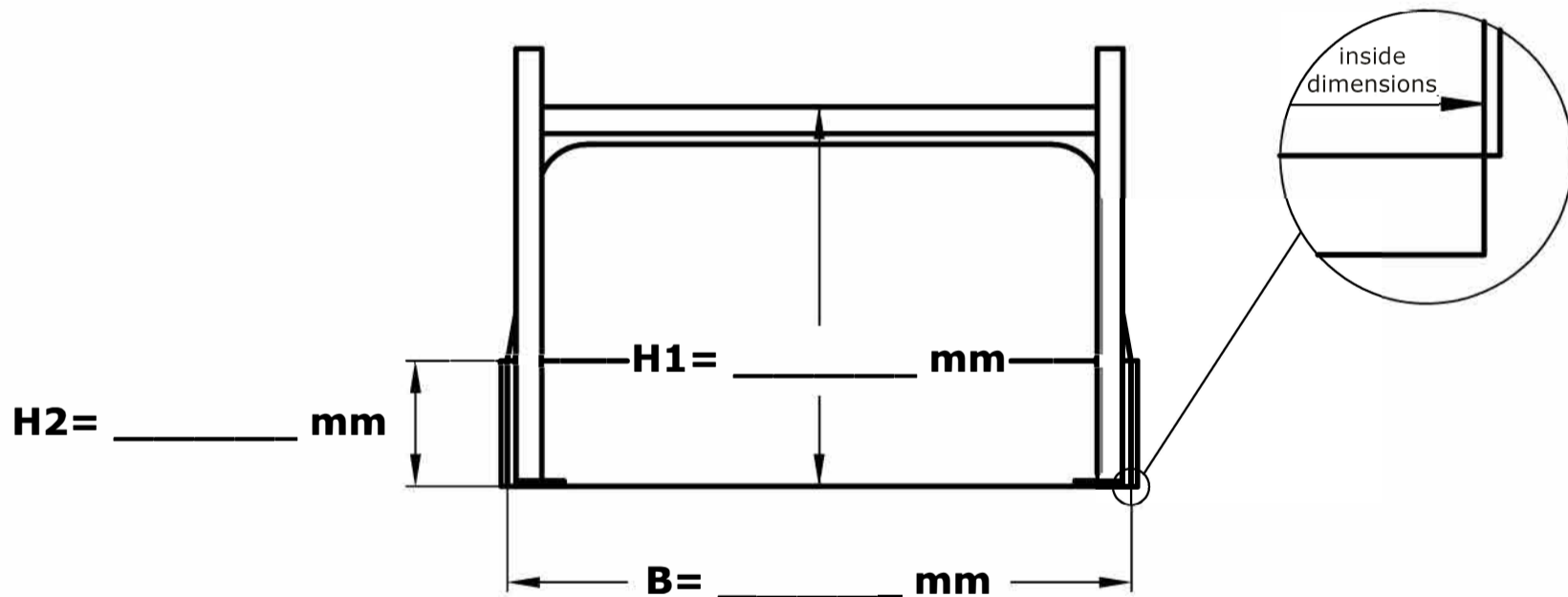
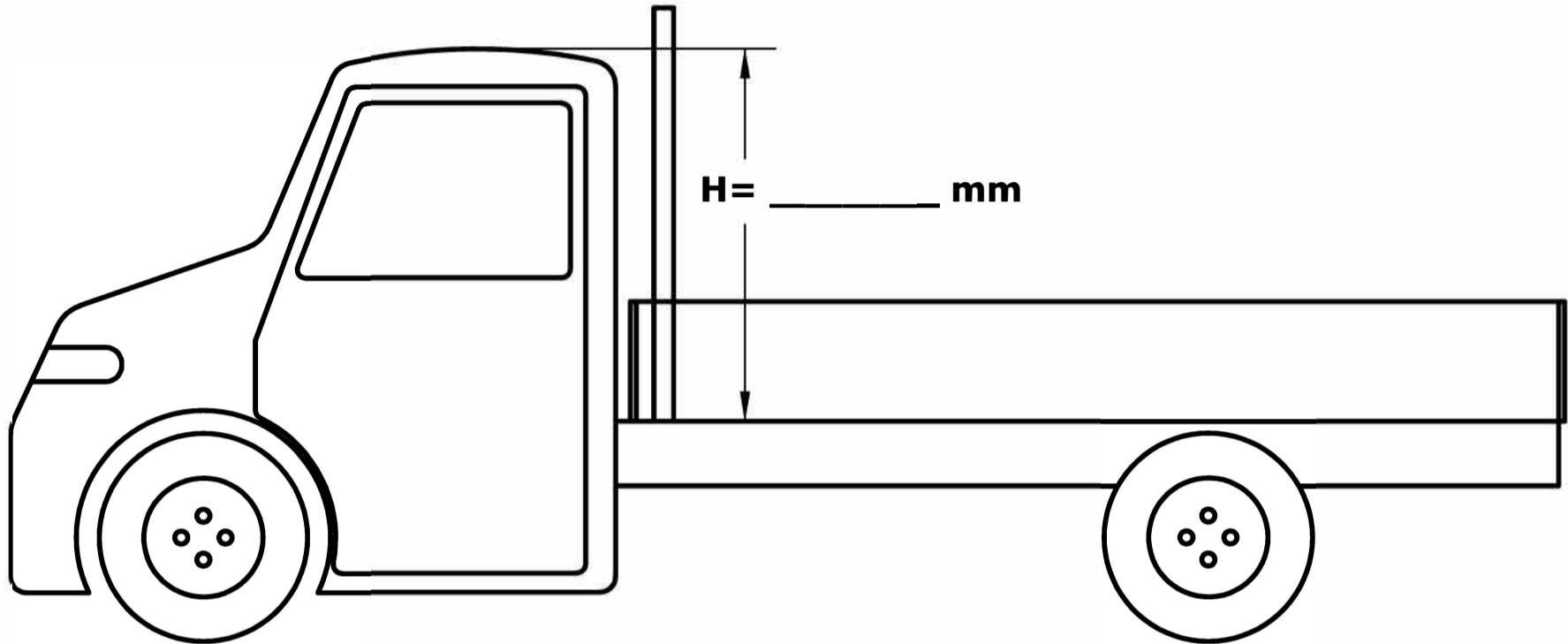


Logicline racks are manufactured according to the individual specifications of your vehicle. Please fill out the fields in the sketch below and select your desired options. Please send us the document via fax oder e-mail.

LogicLine Europe GmbH
Customer Service
Gewerbestraße 1
A-7343 Neutal

Tel. +43 (0)5 / 0170
Fax +43 (0)5 / 0170 - 700
office@logicline.eu

Please be aware, that all measurements need to be inside dimensions!



Vehicle

Brand:

Model:

Year of constr.:

Vehicle identification number

(Volkswagen & Mercedes-Benz vehicles only)

Company

Originaler driver's cab protection from vehicle manufacturer:

Yes No

Name and Surname

B Width of loading area inside side walls (max. 2200 mm)

Telephone

H Distance from loading area to the top of driver's cab (max. 1500 mm)

e-mail

H1 Distance from loading area to top edge of crossbar

H2 Distance from loading area to top of side wall

Date