



## Date record sheet for pick-up solutions

Please enter the dimensions of your vehicle into the appropriate fields and send the completed data record sheet to [office@logicline.eu](mailto:office@logicline.eu) (Customer Service).

# Data record sheet for pick-up solutions

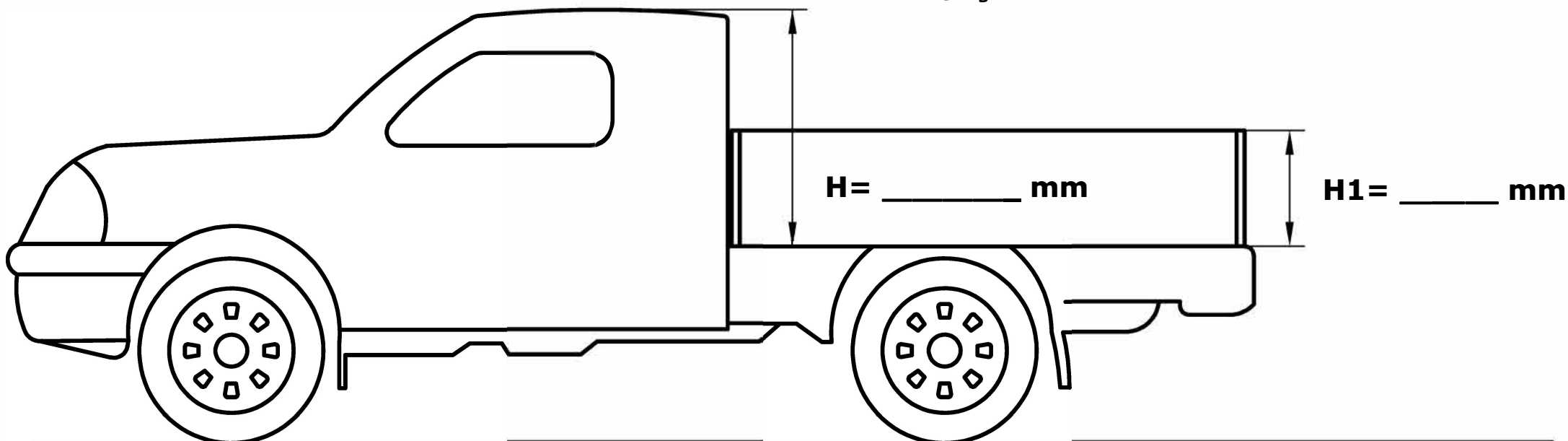


Logicline racks are manufactured according to the individual specifications of your vehicle. Please fill out the fields in the sketch below and select your desired options. Please send us the document via fax oder e-mail.

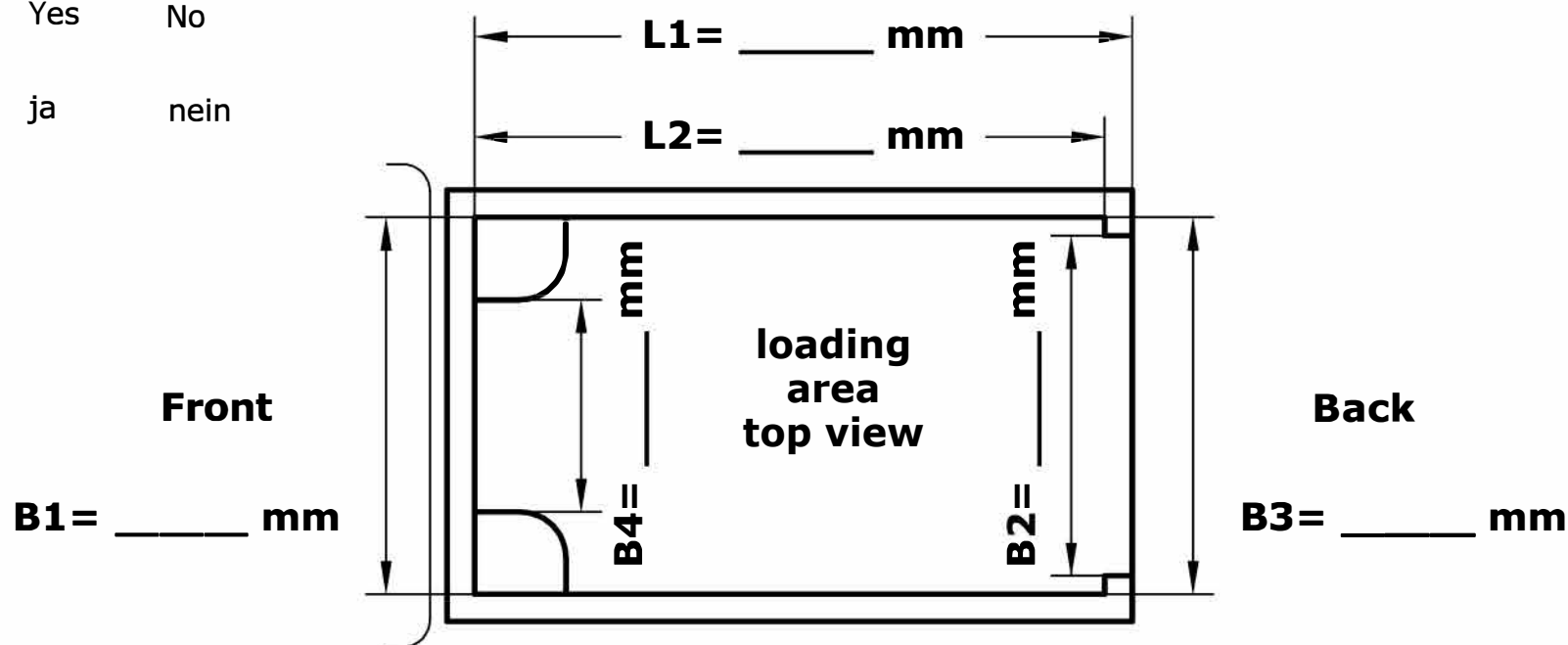
LogicLine Europe GmbH  
Customer Service  
Gewerbestraße 1  
A-7343 Neutal

In the course of the installation it might be necessary to demount the existing driver's cab protection.

Tel. +43 (0)5 / 0170  
Fax +43 (0)5 / 0170 - 700  
office@logicline.eu



Roof railing existing?      Yes      No  
Rear door lockable?      ja      nein



## Vehicle

Brand:  
Model:  
Year of constr.:

Vehicle identification number (Volkswagen & Mercedes-Benz vehicles only)

- L1** Length of loading area incl. rear door
- L2** Length of loading area inside
- B1** Width of loading area (front)
- B2** Clear width when rear door closed
- B3** Width of loading area (back)
- B4** Width of loading area inbetween wheel arches
- H** Distance from loading area to the top of driver's cab
- H1** Distance from loading area to top of side wall

Company

Name and Surname

Telephone

e-mail

Date